



# Air Excellent

## Adjustable extract valve DN125

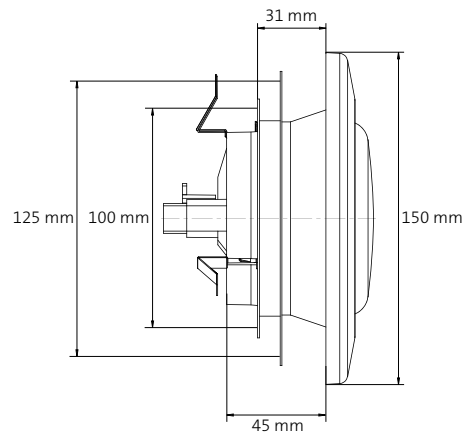
Centrotherm

### Features & benefits

- ✗ For air extract purposes
- ✗ For installation in ceilings and walls
- ✗ For applications in wet rooms
- ✗ Easy to adjust
- ✗ Easy to remove for cleaning purposes

### Adjustable extract valve DN125

For air supply and air extract in ventilation systems you need supply and extract valves. The adjustable extract valve is a plastic valve in RAL9016 white and suits for applications in wet rooms, like kitchens, toilets and bath rooms. The valve is equipped with clamps for easy fitting in a valve adapter.



Extract valve, DN125 ( ■ = recommended application range)

